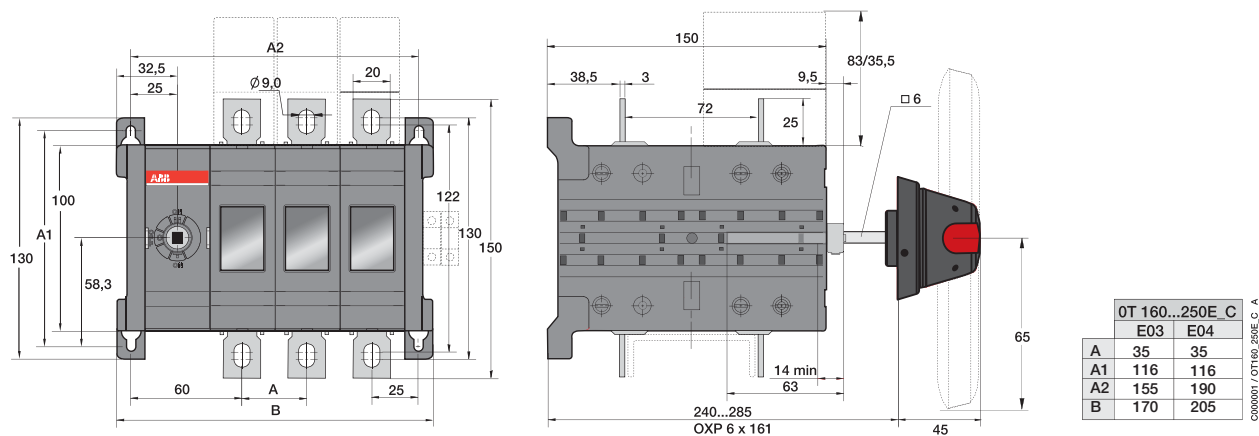


# SwitchLine

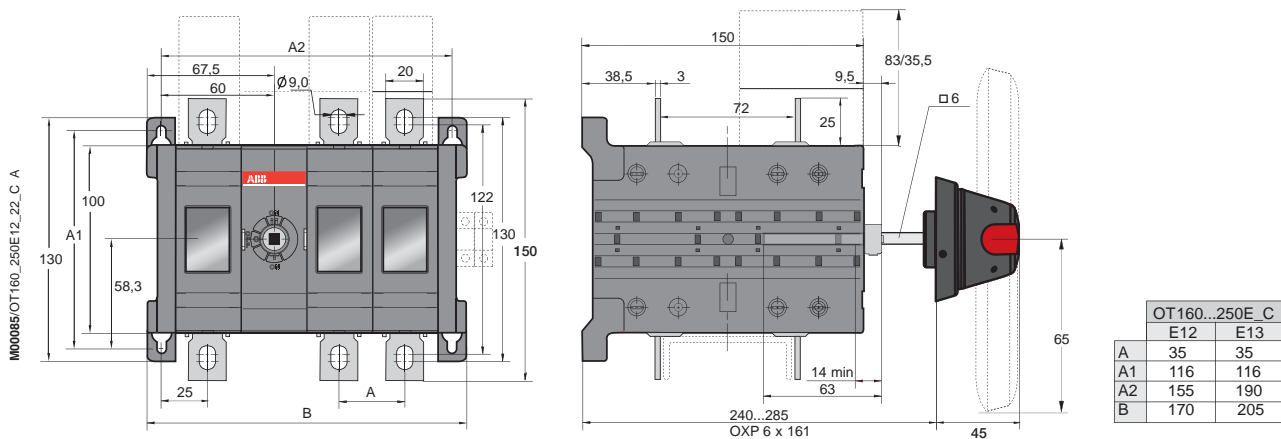
## Change-over switches OT160 - 250

### Dimension drawings

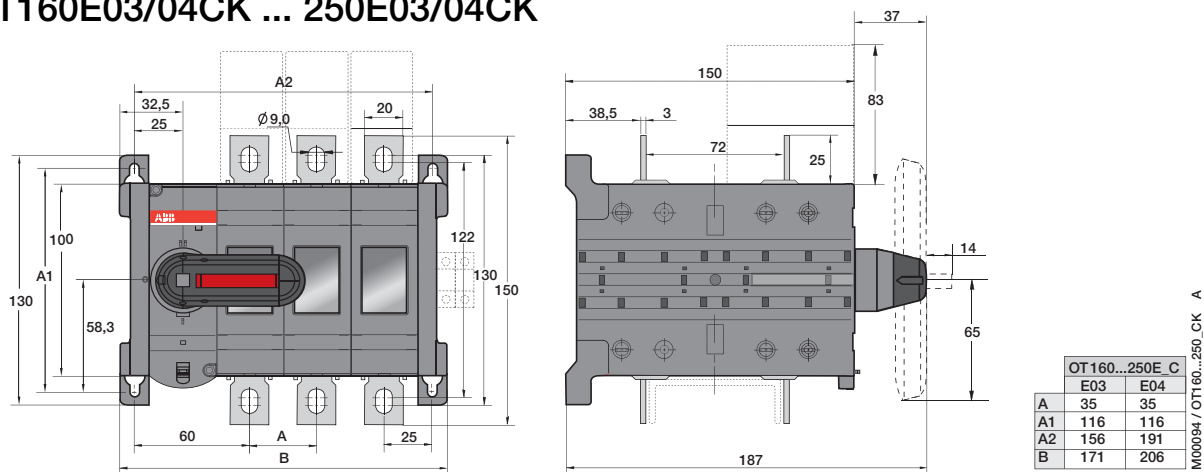
#### OT160E03/04CP ... OT250E03/04CP



#### OT160E12/13CP ... OT250E12/13CP



#### OT160E03/04CK ... 250E03/04CK

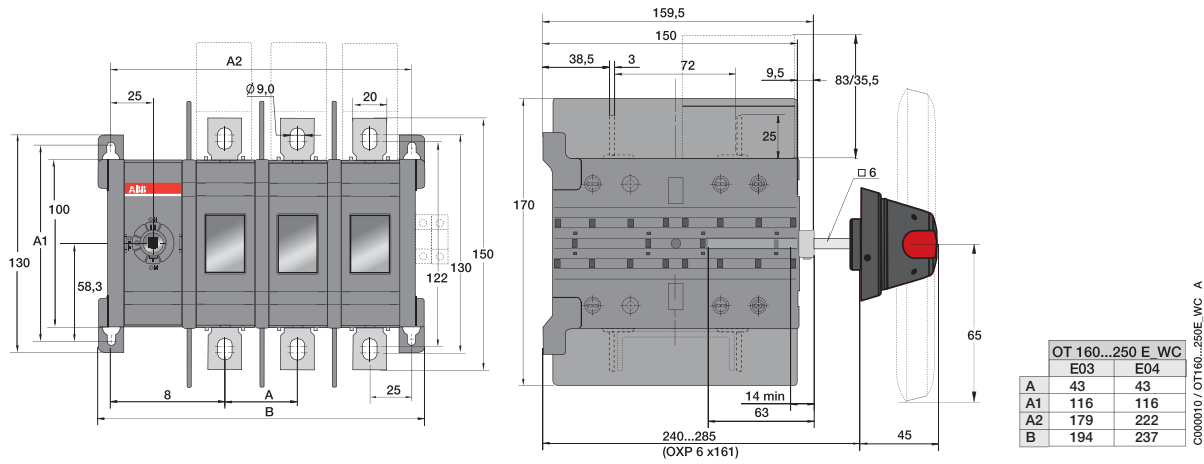


# SwitchLine

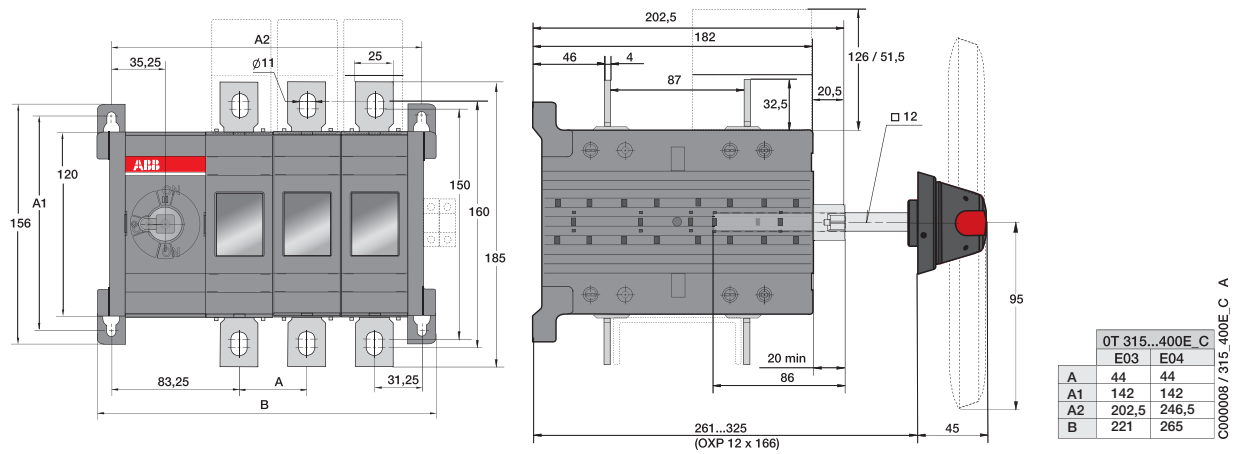
## Change-over switches OT160 - 400

### Dimension drawings

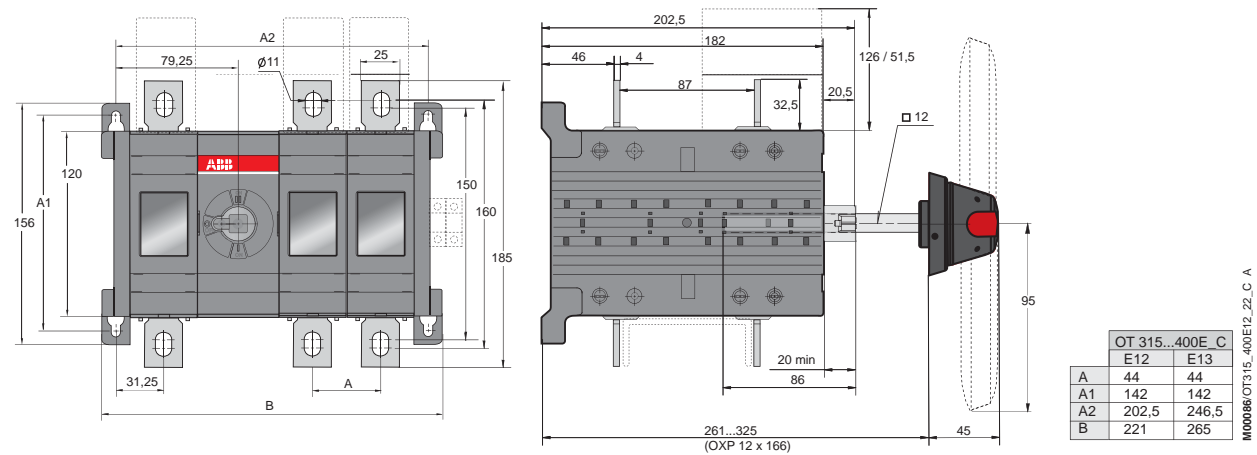
#### OT160E03/04WCP ... OT250E03/04WCP



#### OT315E03/04CP ... OT400E03/04CP



#### OT315E12/13CP ... OT400E12/13CP

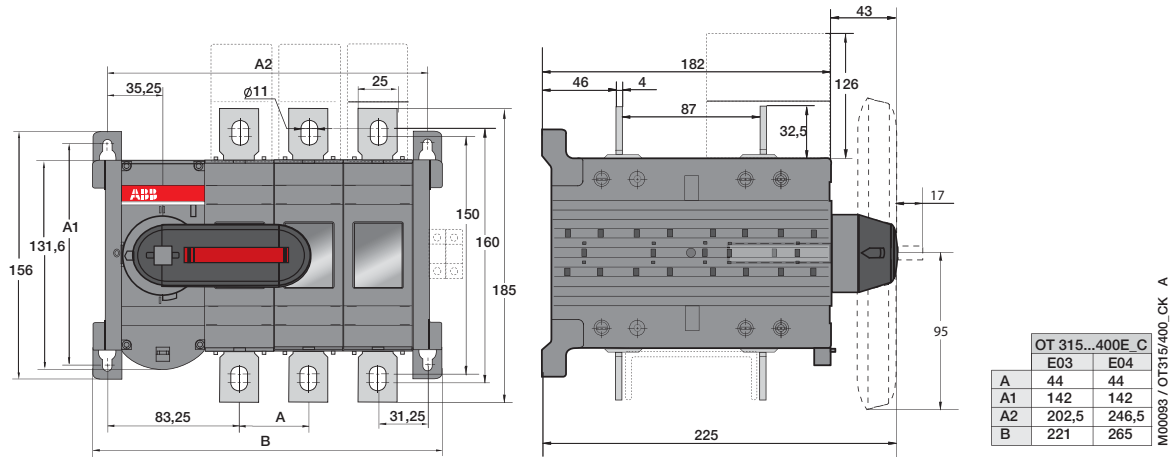


# SwitchLine

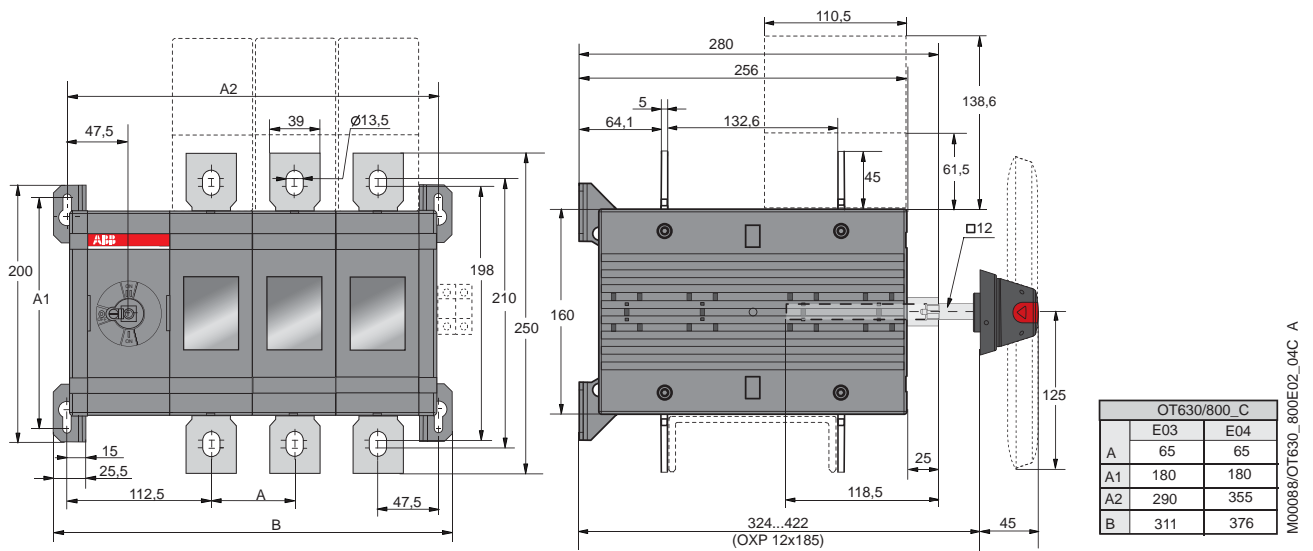
## Change-over switches OT315 - 800

### Dimension drawings

#### OT315E03/04CK ... 400E03/04CK



#### OT630E03/04CP ... 800E03/04CP

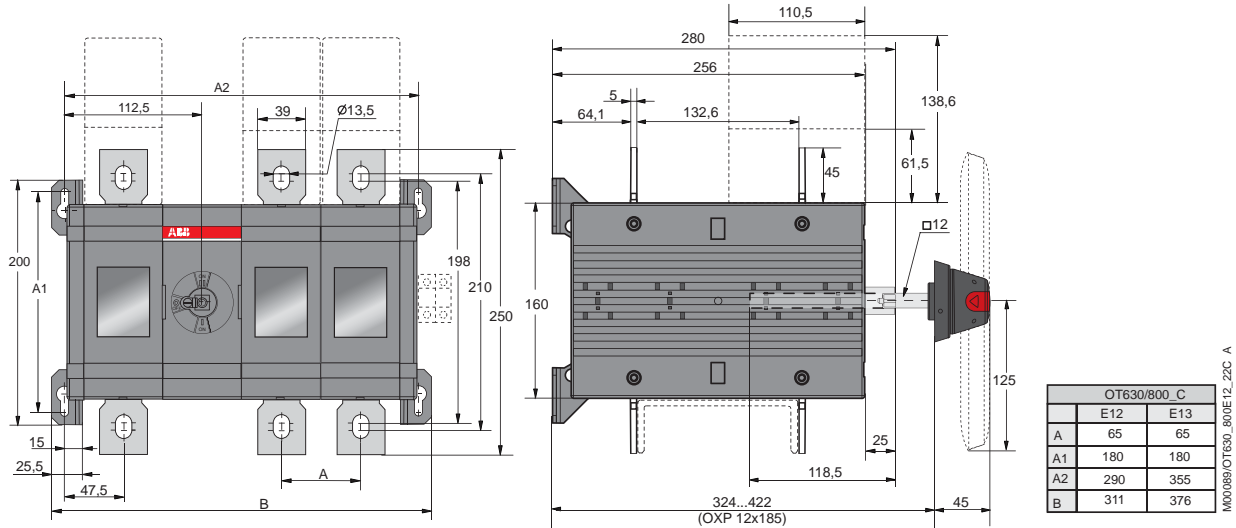


# SwitchLine

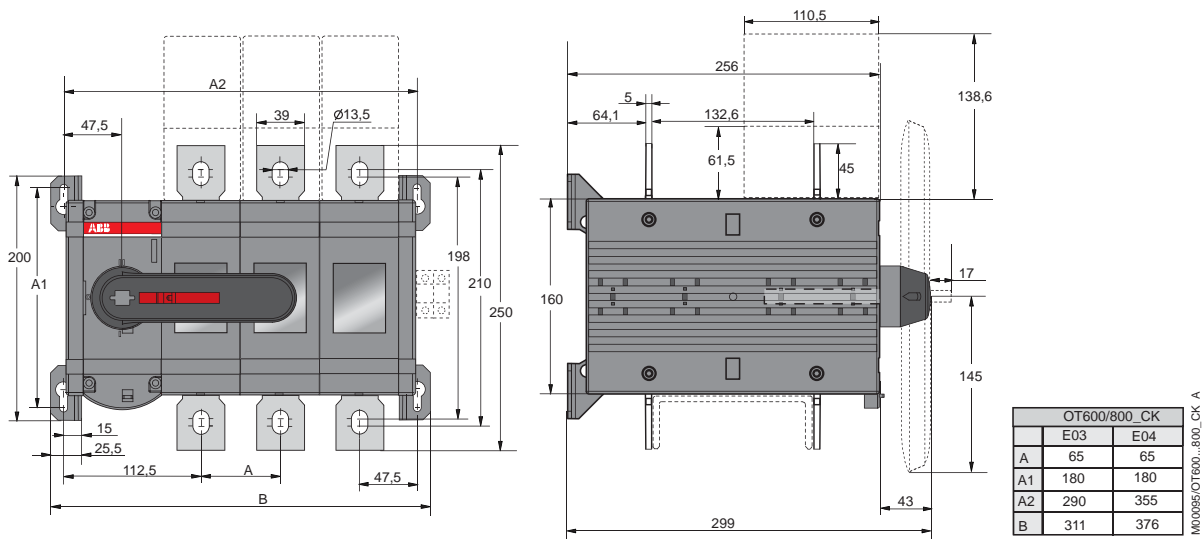
## Change-over switches OT630 - 800

### Dimension drawings

#### OT630E12/13CP ... 800E12/13CP



#### OT630E03/04CK ... 800E03/04CK

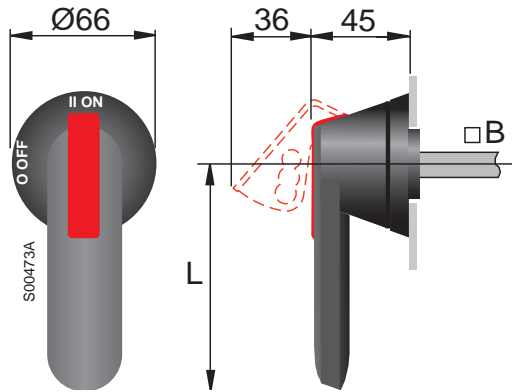


# SwitchLine

## Handles, door drilling

### Dimension drawings

#### Plastic handles



Handle type	Handle length	Shaft
	(mm) L	(mm) B
OH_65J6E_	65	6
OH_80J6E_	80	6
OH_95J12E_	95	12
OH_125J12E_	125	12
OH_145J12E_	145	12
OH_175J12E_	175	12
OH_275J12E_	275	12

